



TN25 and TYNx25 Series

STANDARD

25A SCRs

Table 1: Main Features

Symbol	Value	Unit
$I_{T(RMS)}$	25	A
V_{DRM}/V_{RRM}	600 to 1000	V
I_{GT}	40	mA

DESCRIPTION

The standard **TN25 / TYNx25** 25A SCR series is suitable for general purpose applications.

Using clip assembly technology, they provide a superior performance in surge current capabilities.

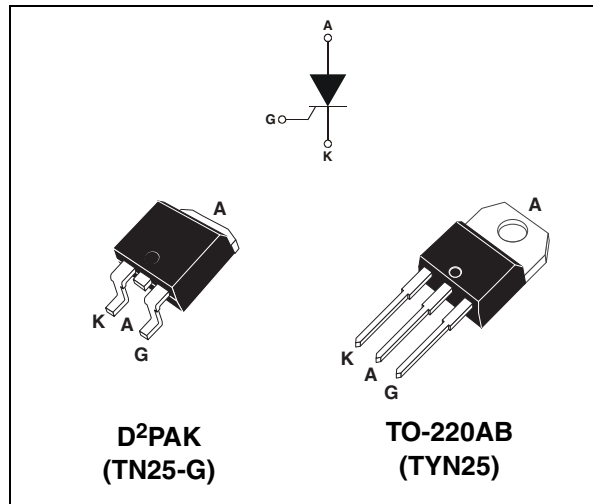


Table 2: Order Codes

Part Numbers	Marking
TN2540-x00G	TN2540x00G
TN2540-x00G-TR	TN2540x00G
TYNx25RG	TYNx25

Table 3: Absolute Ratings (limiting values)

Symbol	Parameter		Value	Unit
$I_{T(RMS)}$	RMS on-state current (180° conduction angle)		$T_c = 100^\circ\text{C}$ 25	A
$I_{T(AV)}$	Average on-state current (180° conduction angle)		$T_c = 100^\circ\text{C}$ 16	A
I_{TSM}	Non repetitive surge peak on-state current	$t_p = 8.3 \text{ ms}$	$T_j = 25^\circ\text{C}$ 314	A
		$t_p = 10 \text{ ms}$		
I^2t	I^2t Value for fusing	$t_p = 10 \text{ ms}$	$T_j = 25^\circ\text{C}$ 450	A^2s
di/dt	Critical rate of rise of on-state current $I_G = 2 \times I_{GT}$, $t_r \leq 100 \text{ ns}$	F = 60 Hz	$T_j = 125^\circ\text{C}$ 50	$\text{A}/\mu\text{s}$
I_{GM}	Peak gate current	$t_p = 20 \mu\text{s}$	$T_j = 125^\circ\text{C}$ 4	A
$P_{G(AV)}$	Average gate power dissipation		$T_j = 125^\circ\text{C}$ 1	W
T_{stg} T_j	Storage junction temperature range Operating junction temperature range		- 40 to + 150 - 40 to + 125	$^\circ\text{C}$
V_{RGM}	Maximum peak reverse gate voltage		5	V

TN25 and TYNx25 Series

Tables 4: Electrical Characteristics ($T_j = 25^\circ\text{C}$, unless otherwise specified)

Symbol	Test Conditions		Value	Unit		
I_{GT}	$V_D = 12\text{ V}$	$R_L = 33\ \Omega$	MIN.	4	mA	
			MAX.	40		
V_{GT}			MAX.	1.3	V	
V_{GD}	$V_D = V_{DRM}$	$R_L = 3.3\ \text{k}\Omega$	$T_j = 125^\circ\text{C}$	MIN.	0.2	V
I_H	$I_T = 500\ \text{mA}$ Gate open			MAX.	50	mA
I_L	$I_G = 1.2 \times I_{GT}$			MAX.	90	mA
dV/dt	$V_D = 67\% V_{DRM}$ Gate open		$T_j = 125^\circ\text{C}$	MIN.	1000	V/ μs
V_{TM}	$I_{TM} = 50\ \text{A}$ $t_p = 380\ \mu\text{s}$		$T_j = 25^\circ\text{C}$	MAX.	1.6	V
V_{t0}	Threshold voltage		$T_j = 125^\circ\text{C}$	MAX.	0.77	V
R_d	Dynamic resistance		$T_j = 125^\circ\text{C}$	MAX.	14	m Ω
I_{DRM} I_{RRM}	$V_{DRM} = V_{RRM}$		$T_j = 25^\circ\text{C}$	MAX.	5	μA
			$T_j = 125^\circ\text{C}$		4	mA

Table 5: Thermal resistance

Symbol	Parameter		Value	Unit	
$R_{th(j-c)}$	Junction to case (DC)		1.0	$^\circ\text{C}/\text{W}$	
$R_{th(j-a)}$	Junction to ambient (DC)	$S = 01\ \text{cm}^2$	D ² PAK	45	$^\circ\text{C}/\text{W}$
			TO-220AB	60	

S = Copper surface under tab.

Figure 1: Maximum average power dissipation versus average on-state current

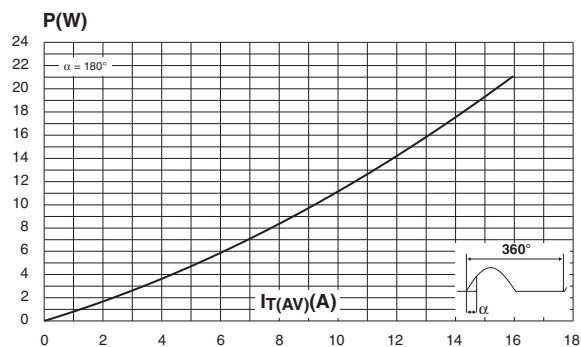


Figure 2: Average and D.C. on-state current versus case temperature

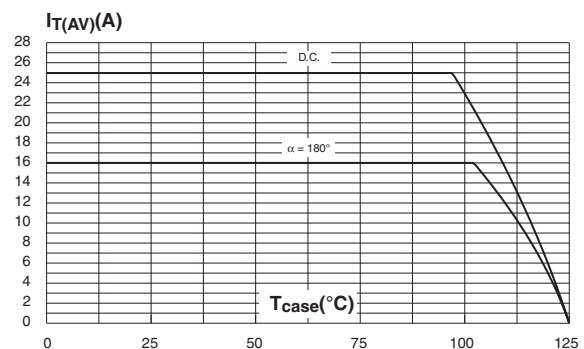


Figure 3: Average and D.C. on-state current versus ambient temperature (copper surface under tab: $S=1\text{cm}^2$) ($D^2\text{PAK}$)

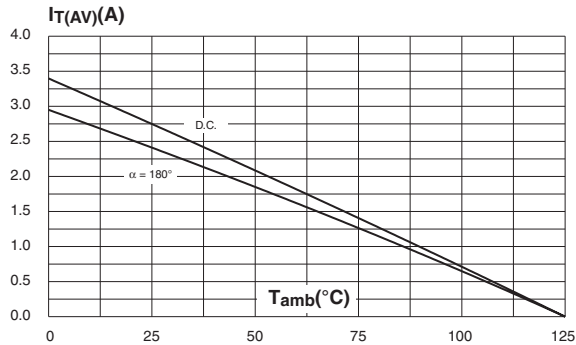


Figure 4: Relative variation of thermal impedance versus pulse duration

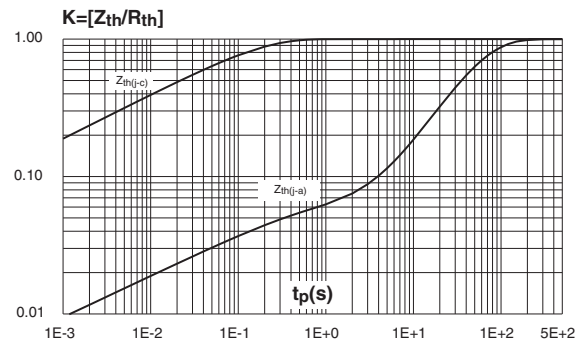


Figure 5: Relative variation of gate trigger current, holding current and latching current versus junction temperature

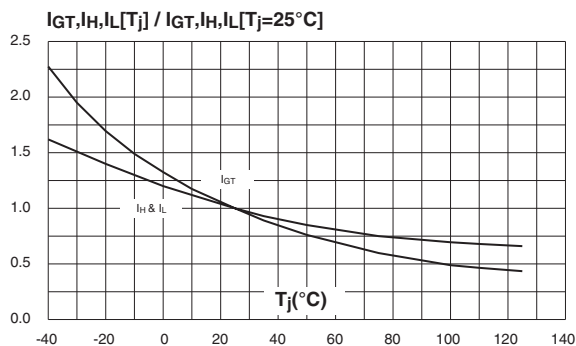


Figure 6: Surge peak on-state current versus number of cycles

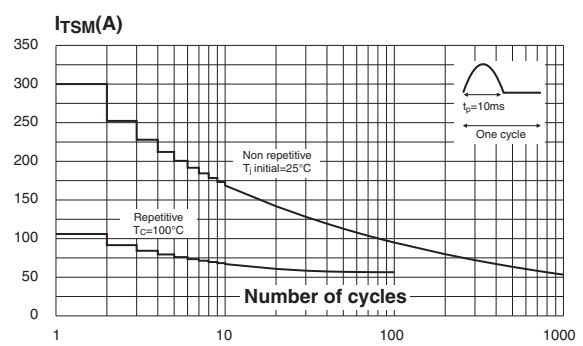


Figure 7: Non-repetitive surge peak on-state current for a sinusoidal pulse with width $t_p < 10\text{ms}$, and corresponding values of I^2t

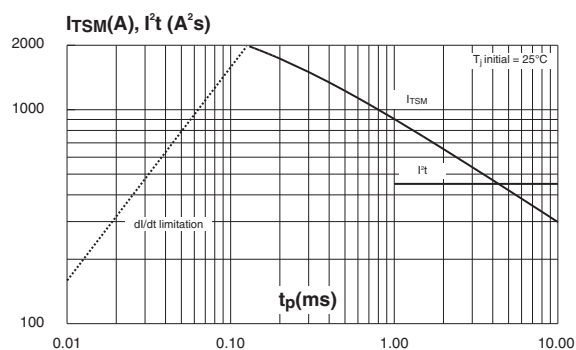
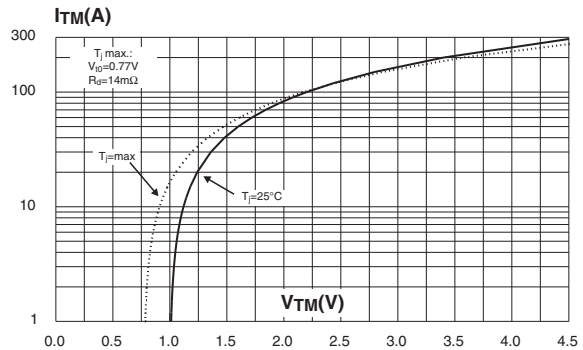


Figure 8: On-state characteristics (maximum values)



TN25 and TYNx25 Series

Figure 9: Thermal resistance junction to ambient versus copper surface under tab (epoxy printed circuit board FR4, copper thickness: 35µm) (D²PAK)

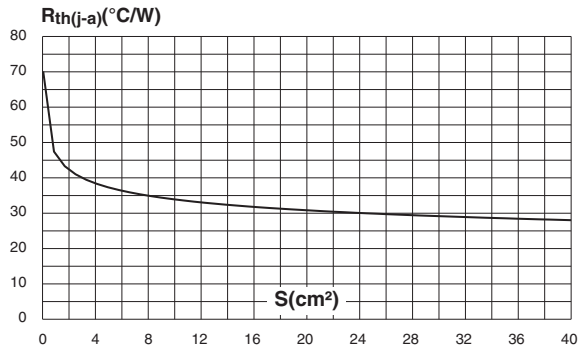


Figure 10: Ordering Information Scheme (TN25 series)

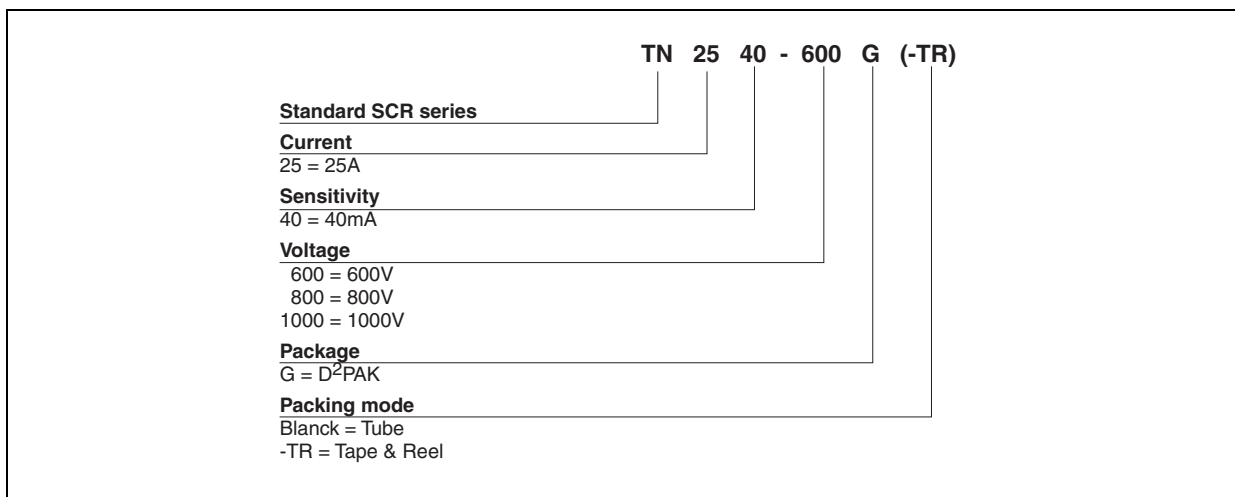


Figure 11: Ordering Information Scheme (TYN25 series)

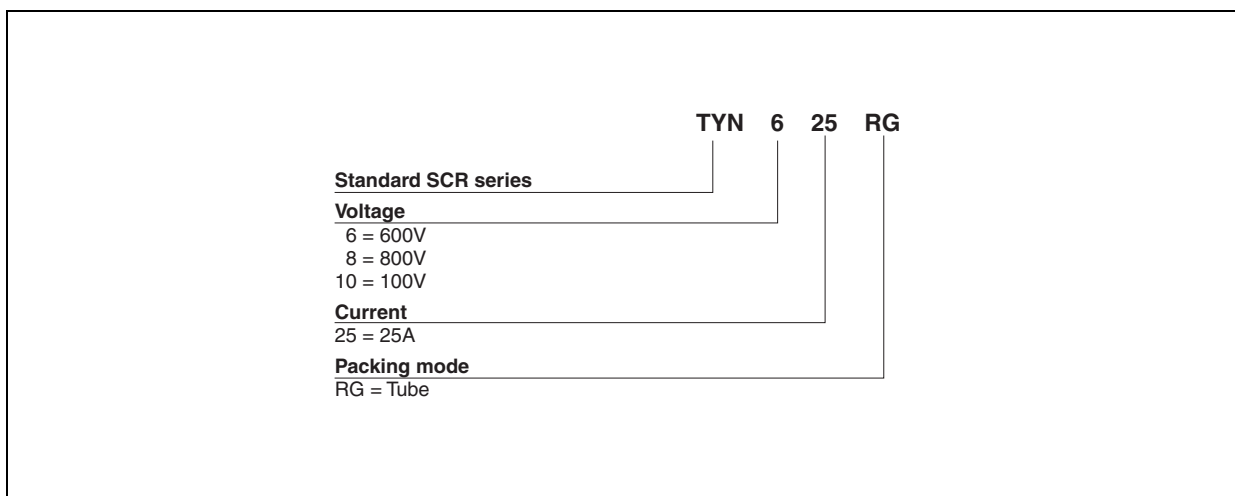


Table 6: Product Selector

Part Numbers	Voltage (xxx)			Sensitivity	Package
	600 V	800 V	1000 V		
TN2540-xxxG	X	X	X	40 mA	D ² PAK
TYNx25	X	X	X	40 mA	TO-220AB

Figure 12: D²PAK Package Mechanical Data

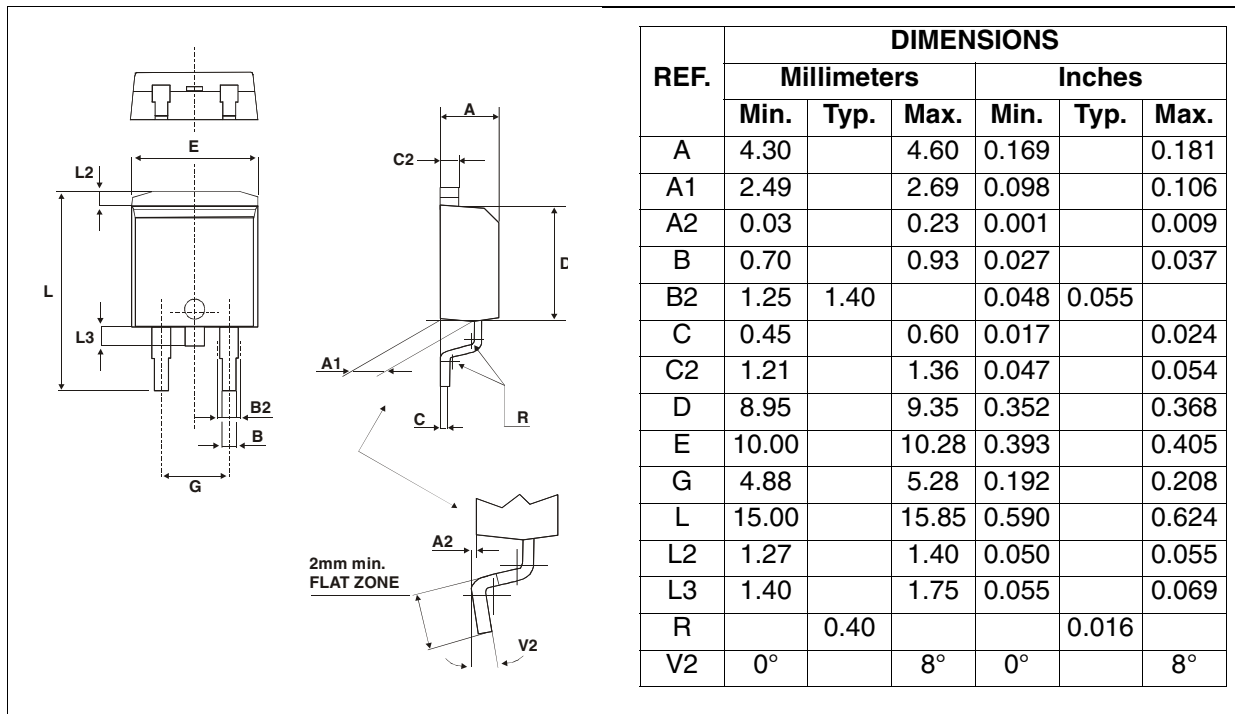
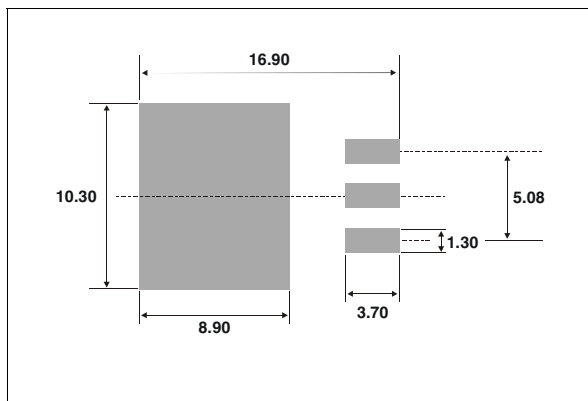
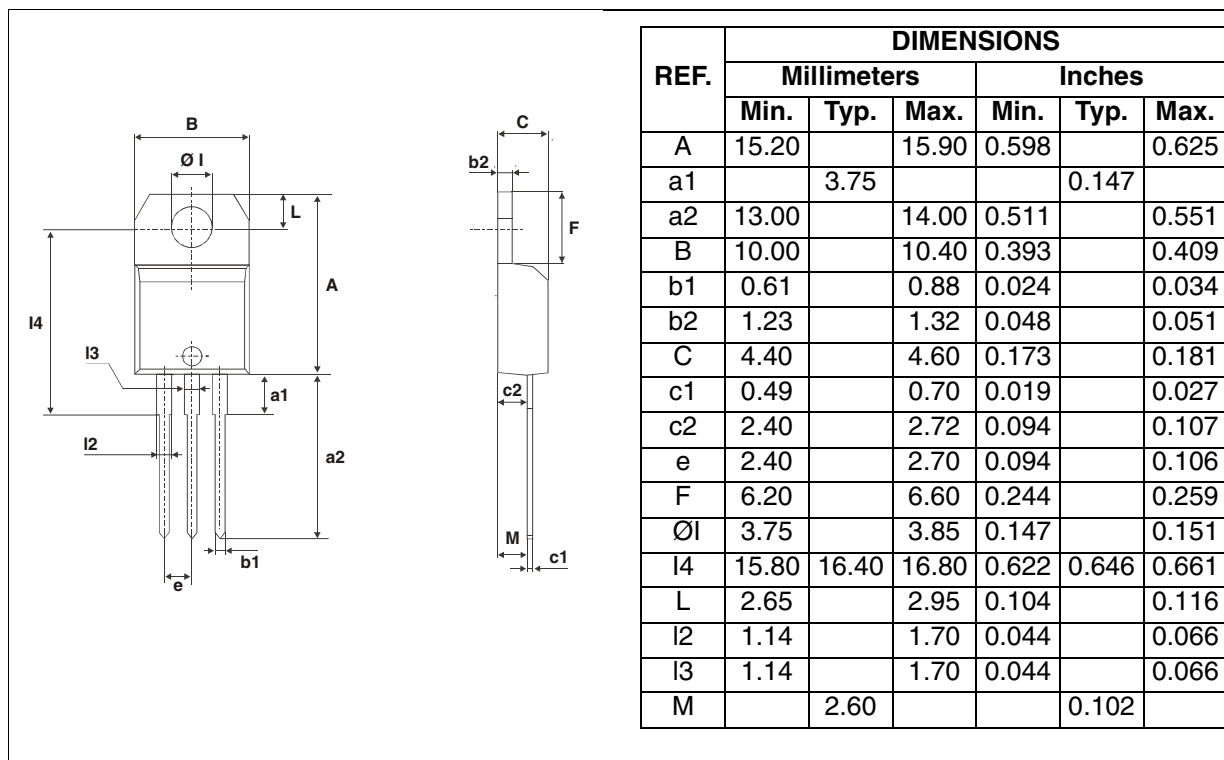


Figure 13: D²PAK Foot Print Dimensions (in millimeters)



TN25 and TYNx25 Series

Figure 14: TO-220AB Package Mechanical Data



In order to meet environmental requirements, ST offers these devices in ECOPACK® packages. These packages have a Lead-free second level interconnect. The category of second level interconnect is marked on the package and on the inner box label, in compliance with JEDEC Standard JESD97. The maximum ratings related to soldering conditions are also marked on the inner box label. ECOPACK is an ST trademark. ECOPACK specifications are available at: www.st.com.

Table 7: Ordering Information

Ordering type	Marking	Package	Weight	Base qty	Delivery mode
TN2540-x00G	TN2540x00G	D ² PAK	1.5 g	50	Tube
TN2540-x00G-TR	TN2540x00G	D ² PAK	1.5 g	1000	Tape & reel
TYNx25RG	TYNx25	TO-220AB	2.3 g	50	Tube

Note: x = voltage

Table 8: Revision History

Date	Revision	Description of Changes
Apr-2002	4A	Last update.
13-Feb-2006	5	TO-220AB delivery mode changed from bulk to tube. ECOPACK statement added.

Information furnished is believed to be accurate and reliable. However, STMicroelectronics assumes no responsibility for the consequences of use of such information nor for any infringement of patents or other rights of third parties which may result from its use. No license is granted by implication or otherwise under any patent or patent rights of STMicroelectronics. Specifications mentioned in this publication are subject to change without notice. This publication supersedes and replaces all information previously supplied. STMicroelectronics products are not authorized for use as critical components in life support devices or systems without express written approval of STMicroelectronics.

The ST logo is a registered trademark of STMicroelectronics.
All other names are the property of their respective owners

© 2006 STMicroelectronics - All rights reserved

STMicroelectronics group of companies

Australia - Belgium - Brazil - Canada - China - Czech Republic - Finland - France - Germany - Hong Kong - India - Israel - Italy - Japan -
Malaysia - Malta - Morocco - Singapore - Spain - Sweden - Switzerland - United Kingdom - United States of America
www.st.com